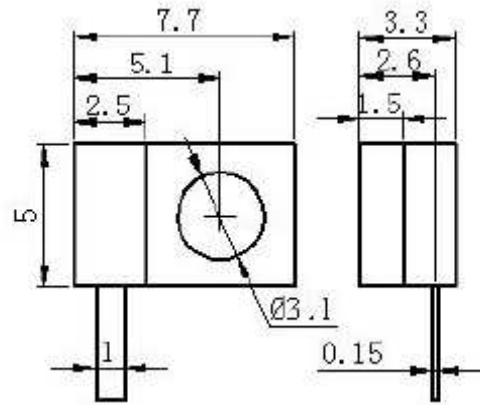




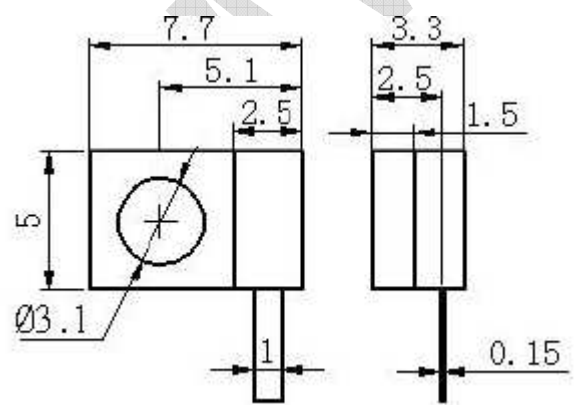
Part No.: YXFT20-505N01

Power Rating: 20W
 DC Resistance: 50Ω
 Tolerance of Resistance: ± 5%
 Working Frequency: DC-3GHz DC-6GHz
 VSWR(max) 1.15:1 1.25:1
 Standard Tab length: 4mm
 Dimension as right side(mm, +/-0.2mm)*:



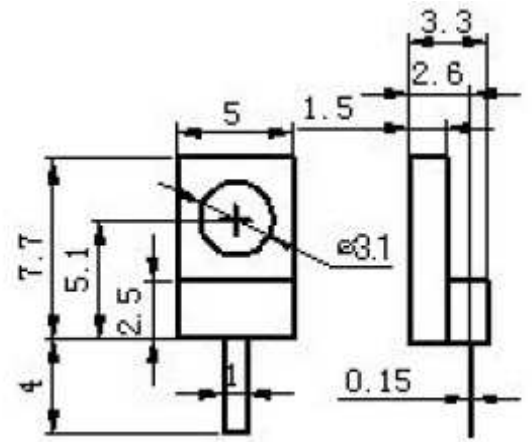
Part No.: YXFT20-505N02

Power Rating: 20W
 DC Resistance: 50Ω
 Tolerance of Resistance: ± 5%
 Working Frequency: DC-3GHz DC-6GHz
 VSWR(max) 1.15:1 1.25:1
 Standard Tab length: 4mm
 Dimension as right side(mm, +/-0.2mm)*:



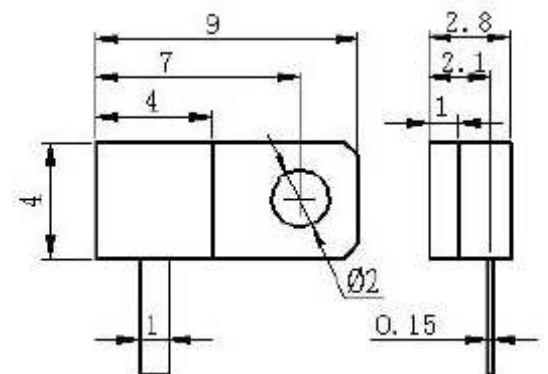
Part No.: YXFT20-505N03

Power Rating: 20W
 DC Resistance: 50Ω
 Tolerance of Resistance: ± 5%
 Working Frequency: DC-3GHz DC-6GHz
 VSWR(max) 1.20:1 1.30:1
 Standard Tab length: 4mm
 Dimension as right side(mm, +/-0.2mm)*:



Part No.: YXFT20-505N04

Power Rating: 20W
 DC Resistance: 50Ω
 Tolerance of Resistance: ± 5%
 Working Frequency: DC-3GHz DC-4GHz DC-6GHz
 VSWR(max) 1.15:1 1.20 1.25:1
 Standard Tab length: 4mm
 Dimension as right side(mm, +/-0.2mm)*:



Part No.: YXFT20-505N05

Power Rating: 20W

DC Resistance: 50Ω

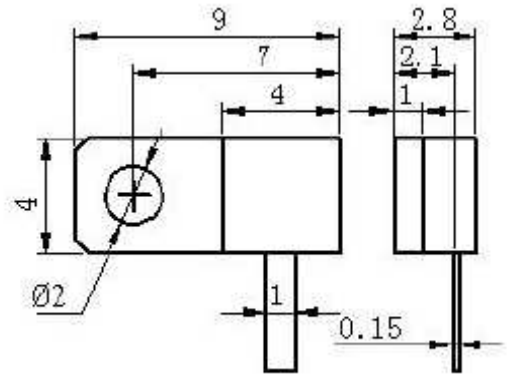
Tolerance of Resistance: ± 5%

Working Frequency: DC-3GHz DC-4GHz DC-6GHz

VSWR(max) 1.15:1 1.20 1.25:1

Standard Tab length: 4mm

Dimension as right side(mm, +/-0.2mm)*:



Part No.: YXFT20-505N06

Power Rating: 20W

DC Resistance: 50Ω

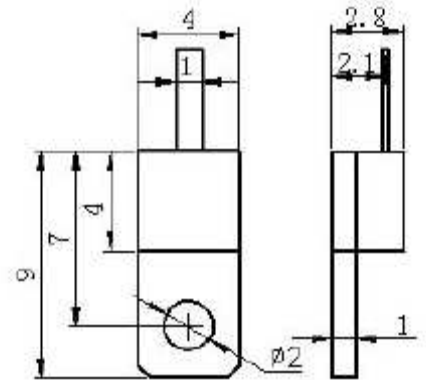
Tolerance of Resistance: ± 5%

Working Frequency: DC-3GHz DC-4GHz DC-6GHz

VSWR(max) 1.15:1 1.20 1.25:1

Standard Tab length: 4mm

Dimension as right side(mm, +/-0.2mm)*:



Part No.: YXFT20-505N07

Power Rating: 20W

DC Resistance: 50Ω

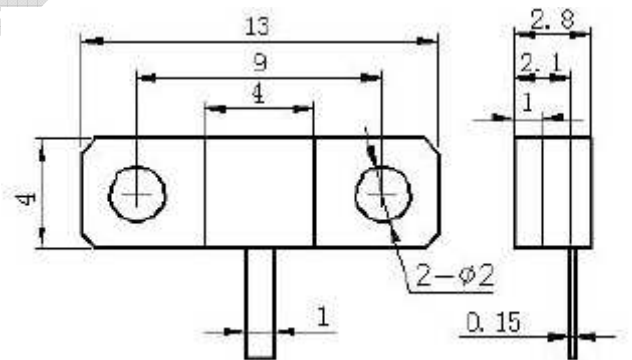
Tolerance of Resistance: ± 5%

Working Frequency: DC-3GHz DC-4GHz DC-6GHz

VSWR(max) 1.15:1 1.20 1.25:1

Standard Tab length: 4mm

Dimension as right side(mm, +/-0.2mm)*:



Part No.: YXFT20-505N08

Power Rating: 20W

DC Resistance: 50Ω

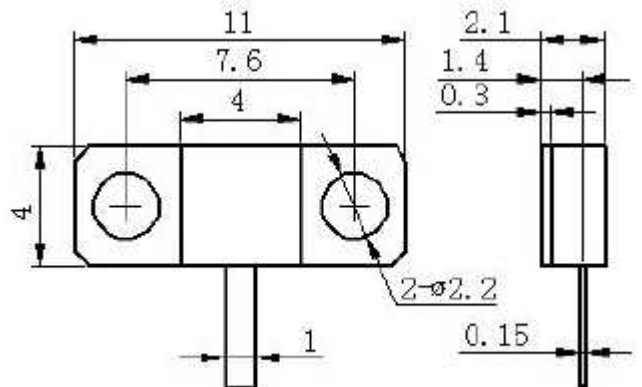
Tolerance of Resistance: ± 5%

Working Frequency: DC-3GHz DC-4GHz DC-6GHz

VSWR(max) 1.15:1 1.20 1.25:1

Standard Tab length: 4mm

Dimension as right side(mm, +/-0.2mm)*:



Part No.: YXFT60-505N01

Power Rating: 60W

DC Resistance: 50Ω

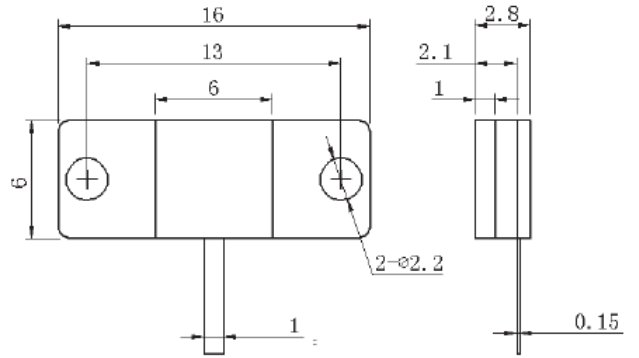
Tolerance of Resistance: ± 5%

Working Frequency: DC-3GHz DC-5GHz DC-6GHz

VSWR(max) 1.10:1 1.15 1.25:1

Standard Tab length: 6mm

Dimension as right side(mm, +/-0.2mm)*:



Part No.: YXFT60-505N02

Power Rating: 60W

DC Resistance: 50Ω

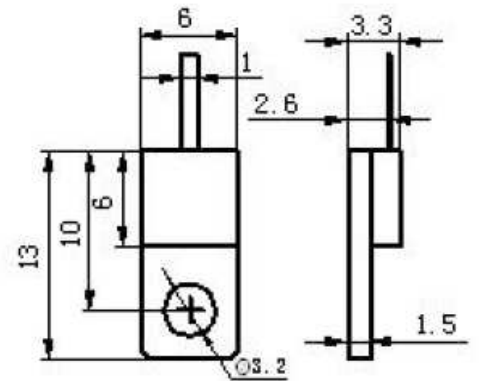
Tolerance of Resistance: ± 5%

Working Frequency: DC-3GHz DC-5GHz DC-6GHz

VSWR(max) 1.10:1 1.15 1.25:1

Standard Tab length: 6mm

Dimension as right side(mm, +/-0.2mm)*:



Part No.: YXFT60-505N03

Power Rating: 60W

DC Resistance: 50Ω

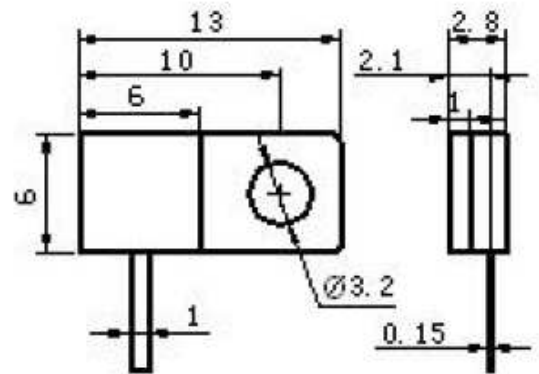
Tolerance of Resistance: ± 5%

Working Frequency: DC-3GHz DC-5GHz DC-6GHz

VSWR(max) 1.10:1 1.15 1.20:1

Standard Tab length: 6mm

Dimension as right side(mm, +/-0.2mm)*:



Part No.: YXFT60-505N04

Power Rating: 60W

DC Resistance: 50Ω

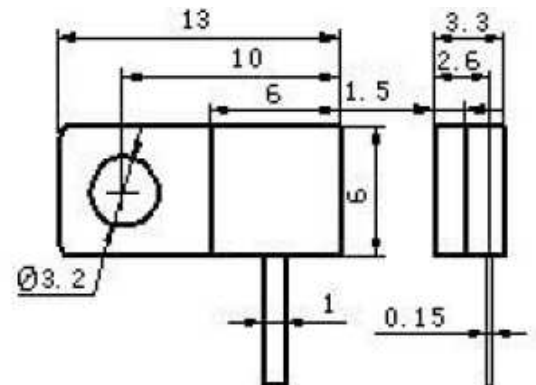
Tolerance of Resistance: ± 5%

Working Frequency: DC-3GHz DC-5GHz DC-6GHz

VSWR(max) 1.10:1 1.15 1.20:1

Standard Tab length: 6mm

Dimension as right side(mm, +/-0.2mm)*:



Part No.: YXFT60-505N05

Power Rating: 60W

DC Resistance: 50Ω

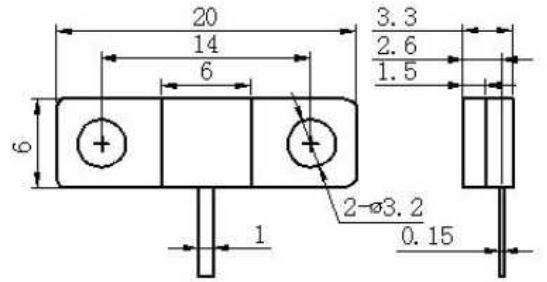
Tolerance of Resistance: ± 5%

Working Frequency: DC-3GHz DC-5GHz DC-6GHz

VSWR(max) 1.10:1 1.15 1.20:1

Standard Tab length: 6mm

Dimension as right side(mm, +/-0.2mm)*:



Part No.: YXFT60-505N06

Power Rating: 60W

DC Resistance: 50Ω

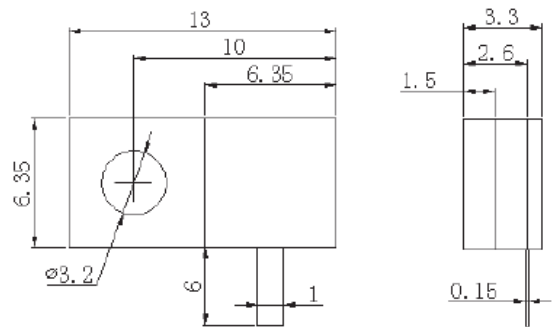
Tolerance of Resistance: ± 5%

Working Frequency: DC-3GHz DC-5GHz DC-6GHz

VSWR(max) 1.10:1 1.15 1.20:1

Standard Tab length: 6mm

Dimension as right side(mm, +/-0.2mm)*:



Part No.: YXFT100-505N01

Power Rating: 100W

DC Resistance: 50Ω

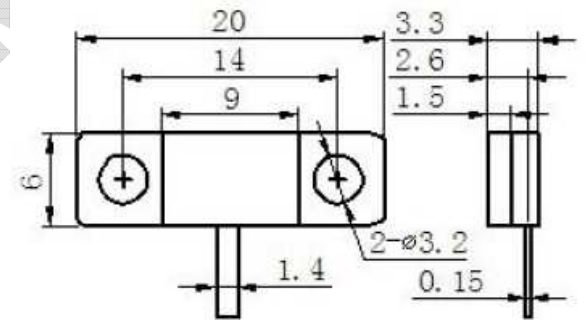
Tolerance of Resistance: ± 5%

Working Frequency: DC-3GHz

VSWR(max) 1.20:1

Standard Tab length: 6mm

Dimension as right side(mm, +/-0.2mm)*:



Part No.: YXFT100-505N02

Power Rating: 100W

DC Resistance: 50Ω

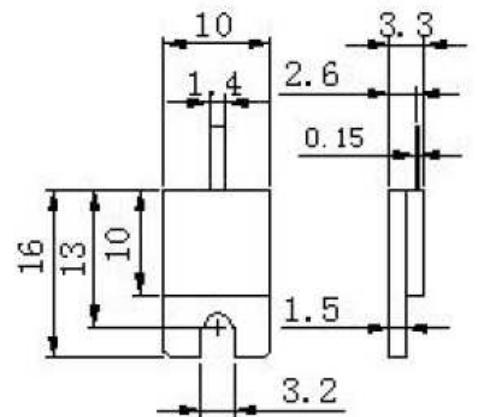
Tolerance of Resistance: ± 5%

Working Frequency: DC-3GHz

VSWR(max) 1.15:1

Standard Tab length: 6mm

Dimension as right side(mm, +/-0.2mm)*:



Part No.: YXFT100-505N03

Power Rating: 100W

DC Resistance: 50Ω

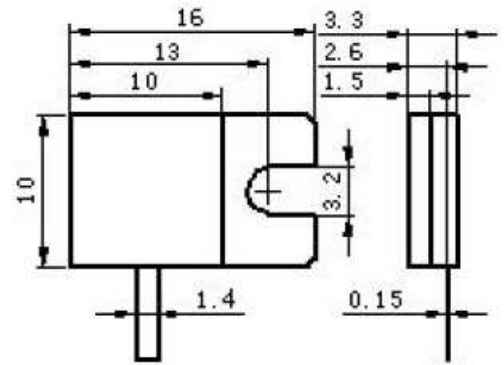
Tolerance of Resistance: ± 5%

Working Frequency: DC-3GHz

VSWR(max) 1.15:1

Standard Tab length: 6mm

Dimension as right side(mm, +/-0.2mm)*:



Part No.: YXFT100-505N04

Power Rating: 100W

DC Resistance: 50Ω

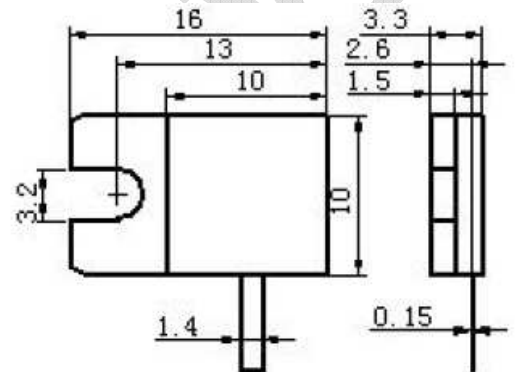
Tolerance of Resistance: ± 5%

Working Frequency: DC-3GHz

VSWR(max) 1.15:1

Standard Tab length: 6mm

Dimension as right side(mm, +/-0.2mm)*:



Part No.: YXFT150-505N01

Power Rating: 150W

DC Resistance: 50Ω

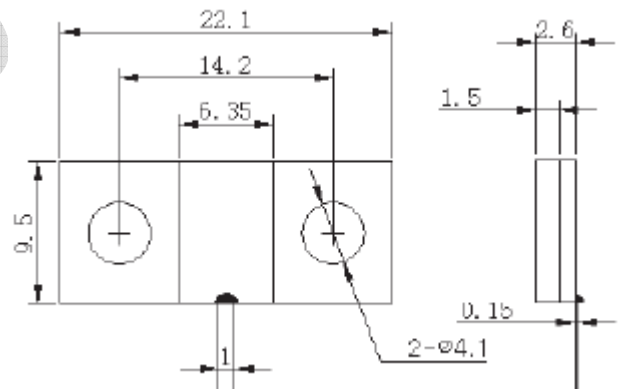
Tolerance of Resistance: ± 5%

Working Frequency: DC-3GHz

VSWR(max) 1.20:1

Standard Tab length: 6mm

Dimension as right side(mm, +/-0.2mm)*:



Part No.: YXFT150-505N02

Power Rating: 150W

DC Resistance: 50Ω

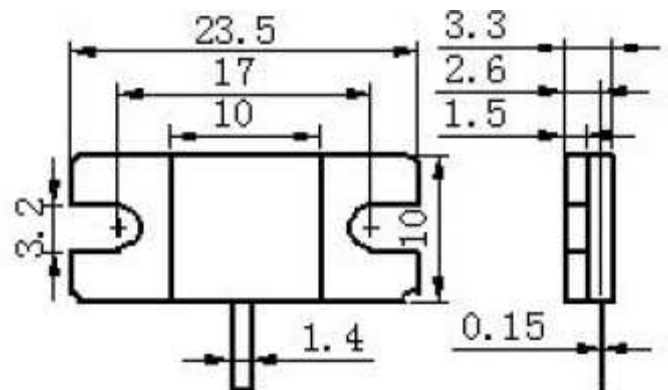
Tolerance of Resistance: ± 5%

Working Frequency: DC-3GHz

VSWR(max) 1.15:1

Standard Tab length: 6mm

Dimension as right side(mm, +/-0.2mm)*:



Part No.: YXFT200-505B01

Power Rating: 200W

DC Resistance: 50Ω

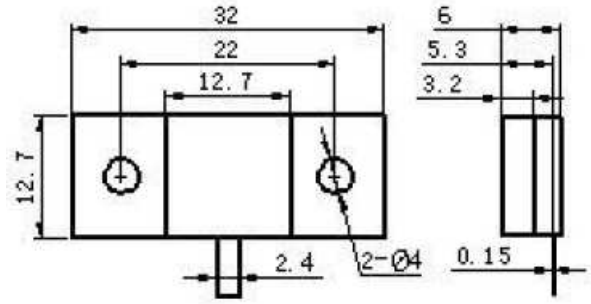
Tolerance of Resistance: ± 5%

Working Frequency: DC-9GHz

VSWR(max) 1.35:1

Standard Tab length: 6mm

Dimension as right side(mm, +/-0.2mm)*:



Part No.: YXFT250-505N01

Power Rating: 250W

DC Resistance: 50Ω

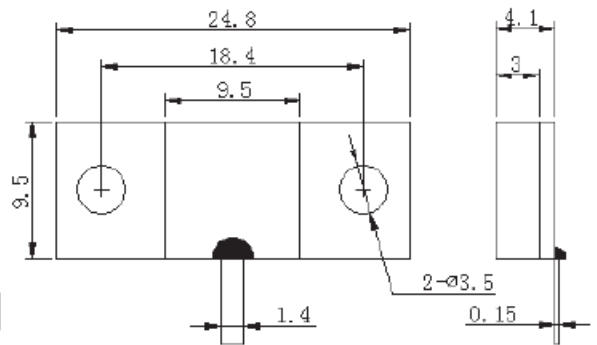
Tolerance of Resistance: ± 5%

Working Frequency: DC-2GHz

VSWR(max) 1.20:1

Standard Tab length: 6mm

Dimension as right side(mm, +/-0.2mm)*:



Part No.: YXFT250-505B01

Power Rating: 250W

DC Resistance: 50Ω

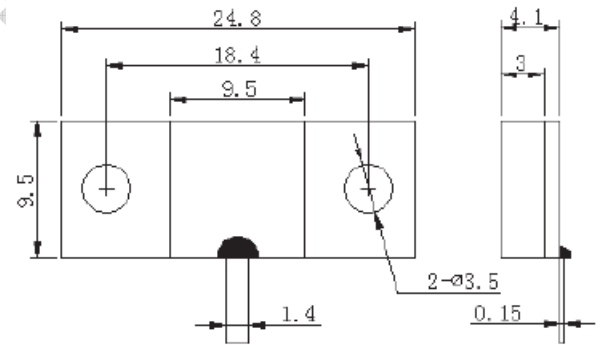
Tolerance of Resistance: ± 5%

Working Frequency: DC-3GHz

VSWR(max) 1.20:1

Standard Tab length: 6mm

Dimension as right side(mm, +/-0.2mm)*:



Part No.: YXFT250-505B02

Power Rating: 250W

DC Resistance: 50Ω

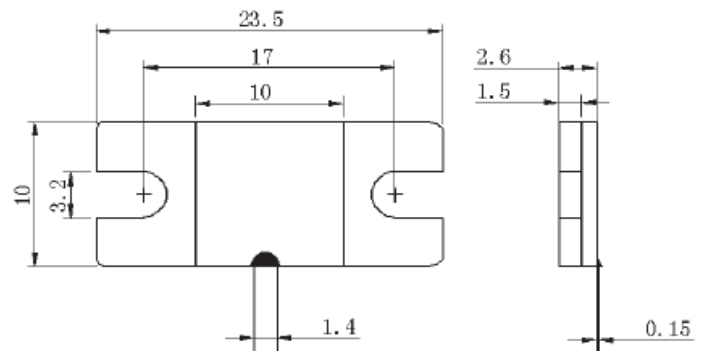
Tolerance of Resistance: ± 5%

Working Frequency: DC-2GHz

VSWR(max) 1.20:1

Standard Tab length: 6mm

Dimension as right side(mm, +/-0.2mm)*:



Part No.: YXFT250-505B03

Power Rating: 250W

DC Resistance: 50Ω

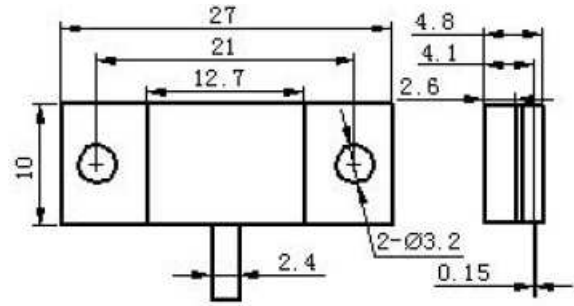
Tolerance of Resistance: ± 5%

Working Frequency: DC-2GHz

VSWR(max) 1.20:1

Standard Tab length: 6mm

Dimension as right side(mm, +/-0.2mm)*:



Part No.: YXFT300-505B01

Power Rating: 300W

DC Resistance: 50Ω

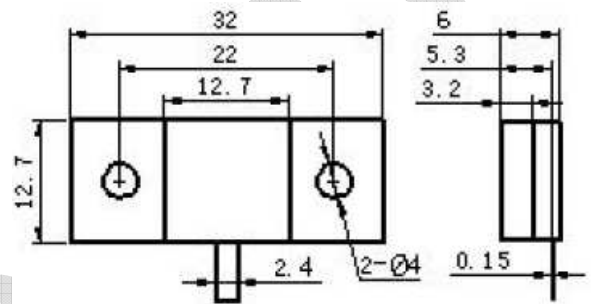
Tolerance of Resistance: ± 5%

Working Frequency: DC-3GHz

VSWR(max) 1.20:1

Standard Tab length: 8mm

Dimension as right side(mm, +/-0.2mm)*:



Part No.: YXFT400-505B01

Power Rating: 400W

DC Resistance: 50Ω

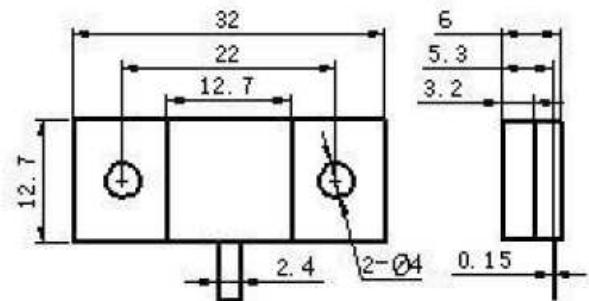
Tolerance of Resistance: ± 5%

Working Frequency: DC-2.2GHz

VSWR(max) 1.30:1

Standard Tab length: 8mm

Dimension as right side(mm, +/-0.2mm)*:



Part No.: YXFT500-505B01

Power Rating: 500W

DC Resistance: 50Ω

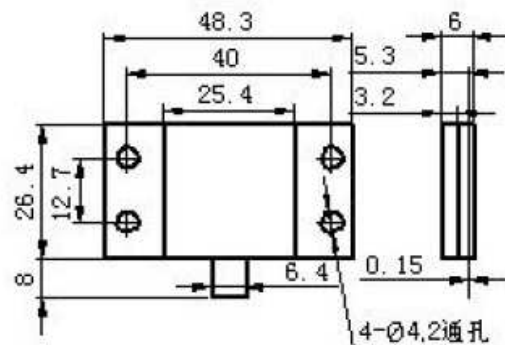
Tolerance of Resistance: ± 5%

Working Frequency: DC-2GHz

VSWR(max) 1.20:1

Standard Tab length: 8mm

Dimension as right side(mm, +/-0.2mm)*:



Part No.: YXFT500-505B02

Power Rating: 500W

DC Resistance: 50Ω

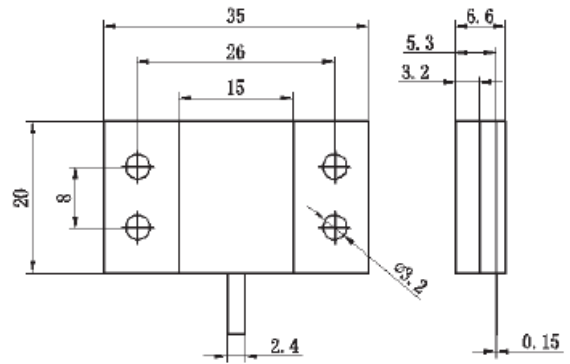
Tolerance of Resistance: ± 5%

Working Frequency: DC-7GHz

VSWR(max) 1.30:1

Standard Tab length: 8mm

Dimension as right side(mm, +/-0.2mm)*:



Part No.: YXFT800-505B02

Power Rating: 500W

DC Resistance: 50Ω

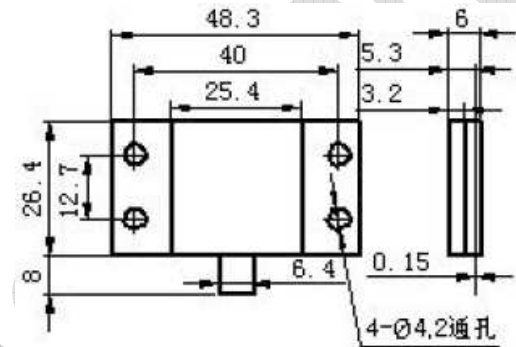
Tolerance of Resistance: ± 5%

Working Frequency: DC-1.1GHz

VSWR(max) 1.20:1

Standard Tab length: 8mm

Dimension as right side(mm, +/-0.2mm)*:



* We can do customized products, such as special impedance, VSWR, length of the lead, etc.